

AE2 EV Fuse



FEATURES:

- 500 VDC automotive fuse
- Rated Current: 10-50 A
- Rated Breaking Capacity: 20 kA
- Time Constant: 1-3 ms
- Dimensions: 10x38 mm
- General purpose fuse for EV/HEV auxiliary protection
- Ref. to ISO 8820-8; GB/T 31465.6
- Approval: TÜV and UL
- Recommended fuse holder: BH114

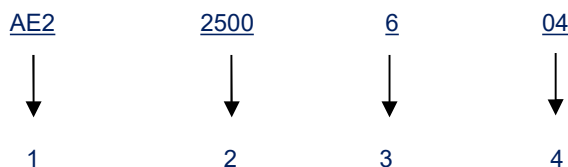
ELECTRICAL SPECIFICATIONS

| Part Number / Configurations | | | | Rated Current | Ampere Code | Rated Voltage | Breaking Capacity | Certifications | |
|------------------------------|---------------|-------------|------------|---------------|-------------|---------------|-------------------|----------------|----|
| Cartridge | Central Mount | Level Mount | PCB Mount | | | | | TÜV | UL |
| AE22100607 | AE22100604 | AE22100605 | AE22100606 | 10 A | 2100 | 500 VDC | 20 kA@500 VDC | ○ | ● |
| AE22150607 | AE22150604 | AE22150605 | AE22150606 | 15 A | 2150 | | | ● | ● |
| AE22200607 | AE22200604 | AE22200605 | AE22200606 | 20 A | 2200 | | | ● | ● |
| AE22250607 | AE22250604 | AE22250605 | AE22250606 | 25 A | 2250 | | | ● | ● |
| AE22300607 | AE22300604 | AE22300605 | AE22300606 | 30 A | 2300 | | | ● | ● |
| AE22350607 | AE22350604 | AE22350605 | AE22350606 | 35 A | 2350 | | | ● | ● |
| AE22400607 | AE22400604 | AE22400605 | AE22400606 | 40 A | 2400 | | | ● | ● |
| AE22500607 | AE22500604 | AE22500605 | AE22500606 | 50 A | 2500 | | | ● | ● |

TIME VS CURRENT CHARACTERISTIC

| Rated Current | 110% | 135% | 150% | 200% | 300% | 500% |
|---------------|------|-----------|-----------|-----------|---------|----------|
| 10-50 A | >4 h | 150s - 1h | 10-1000 s | 0.5-100 s | 0.1-15s | 0.05-1 s |

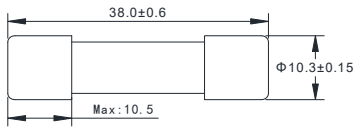
PART NUMBER SYSTEM



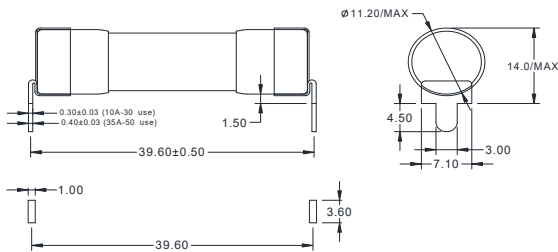
- 1Product Series AE2
- 2 Ampere Code 50 A (see ampere code column of electrical specifications)
- 3 Rated Voltage 6 - 500 V
- 4 Supplementary Code 04: Central Mount; 05: Level Mount; 06: PCB Mount; 07: Cartridge

DIMENSIONS (mm)

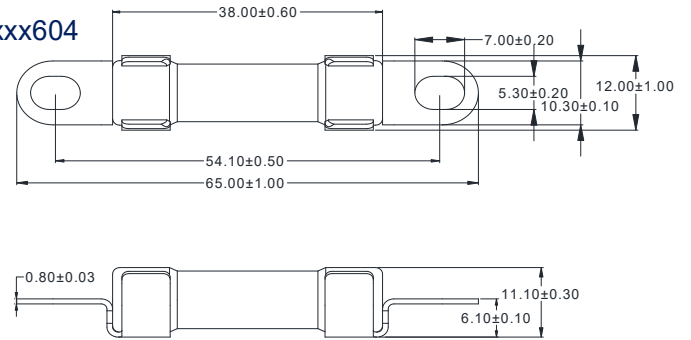
AE2xxxx607



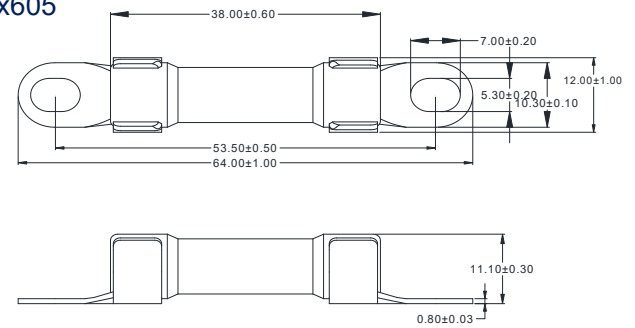
AE2xxxx606



AE2xxxx604



AE2xxxx605



TIME CURRENT CURVE

